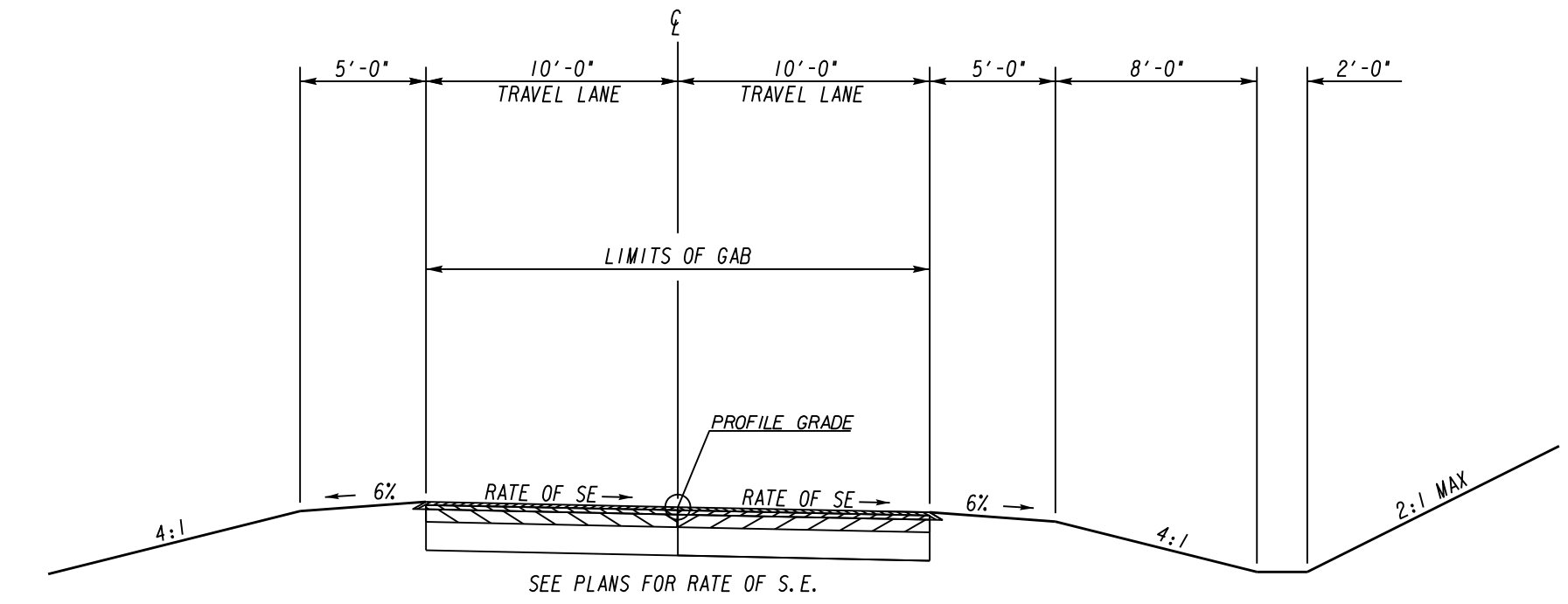
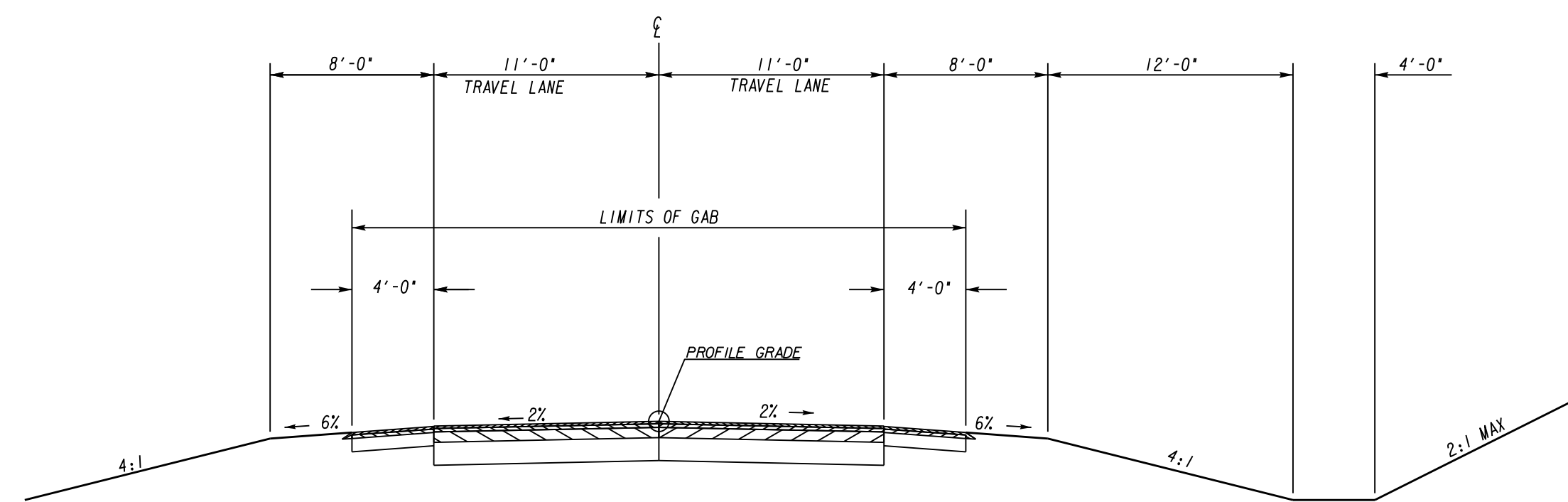


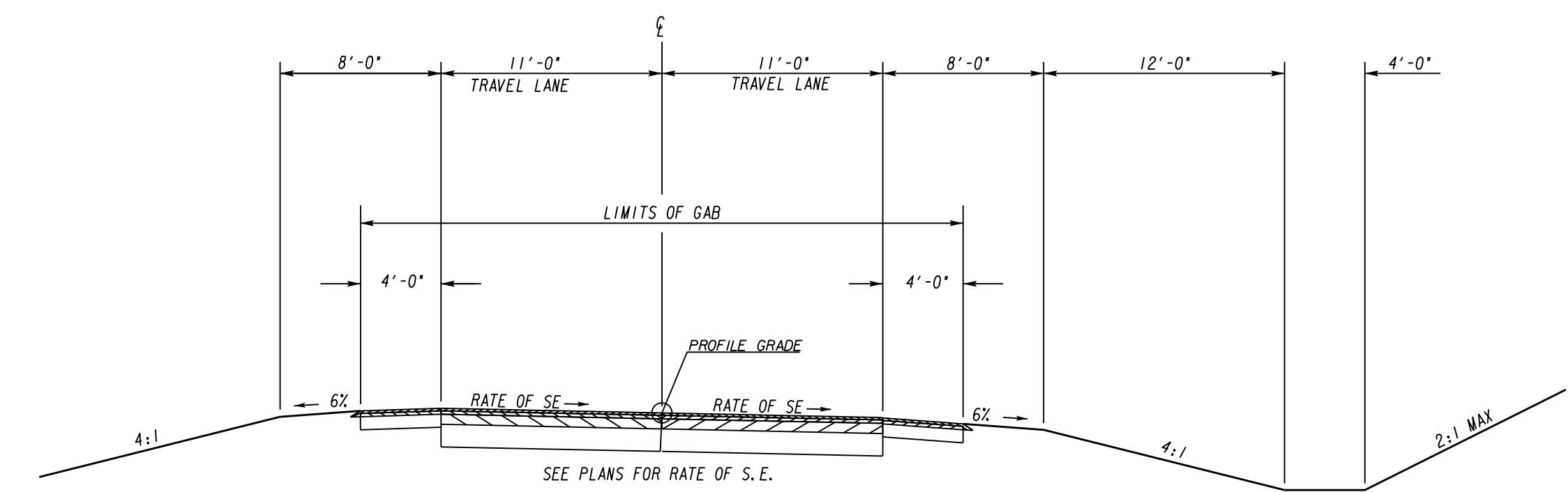
**TS-09**  
TANGENT SECTION  
APPLIES TO  
CR 257 / EZRA TAYLOR ROAD  
STA. 10+00.00 TO STA. 19+48.00



**TS-10**  
SUPERELEVATED  
WHERE APPLIES



**TS-07**  
TANGENT SECTION  
APPLIES TO  
CR 337 / LYONS CENTER ROAD  
STA. 14+50.00 TO STA. 25+50.00



**TS-08**  
SUPERELEVATED  
WHERE APPLIES

**GEORGIA**  
DEPARTMENT  
OF  
TRANSPORTATION

REVISION DATES	

STATE OF GEORGIA  
DEPARTMENT OF TRANSPORTATION  
OFFICE: ROADWAY DESIGN  
**TYPICAL SECTIONS**

DRAWING No.  
**05-003**