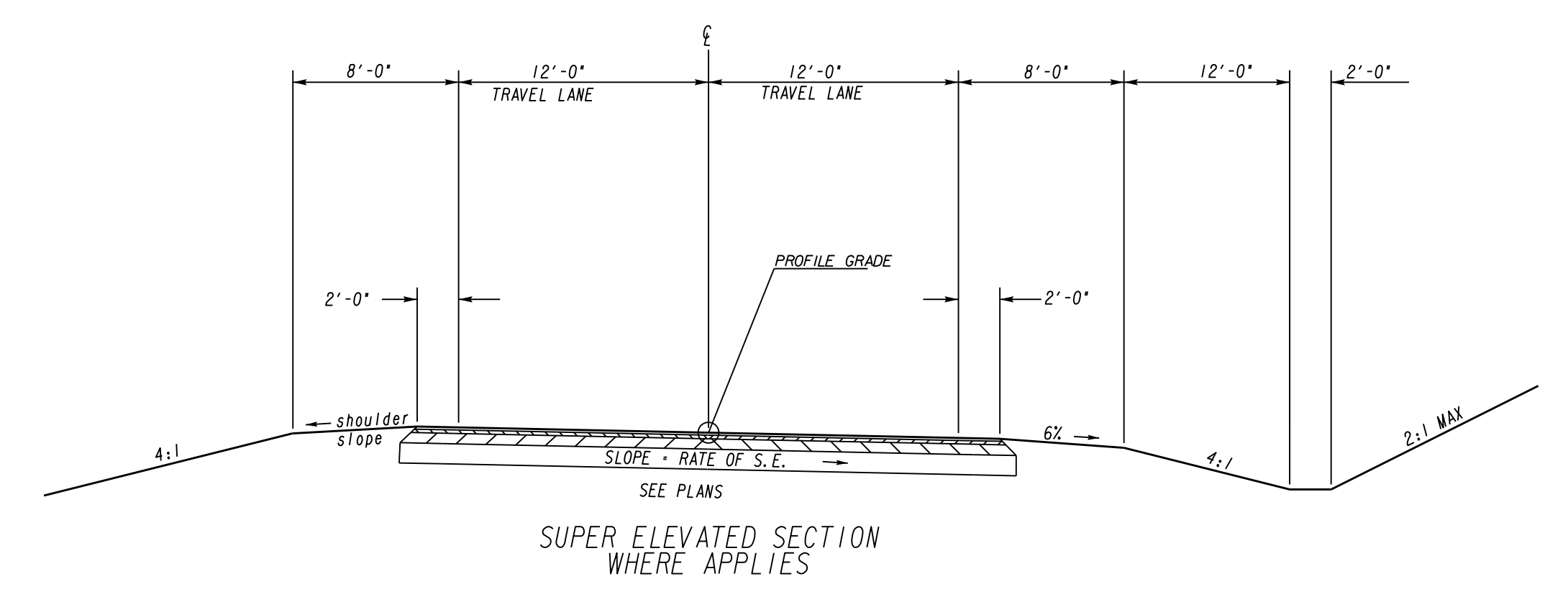
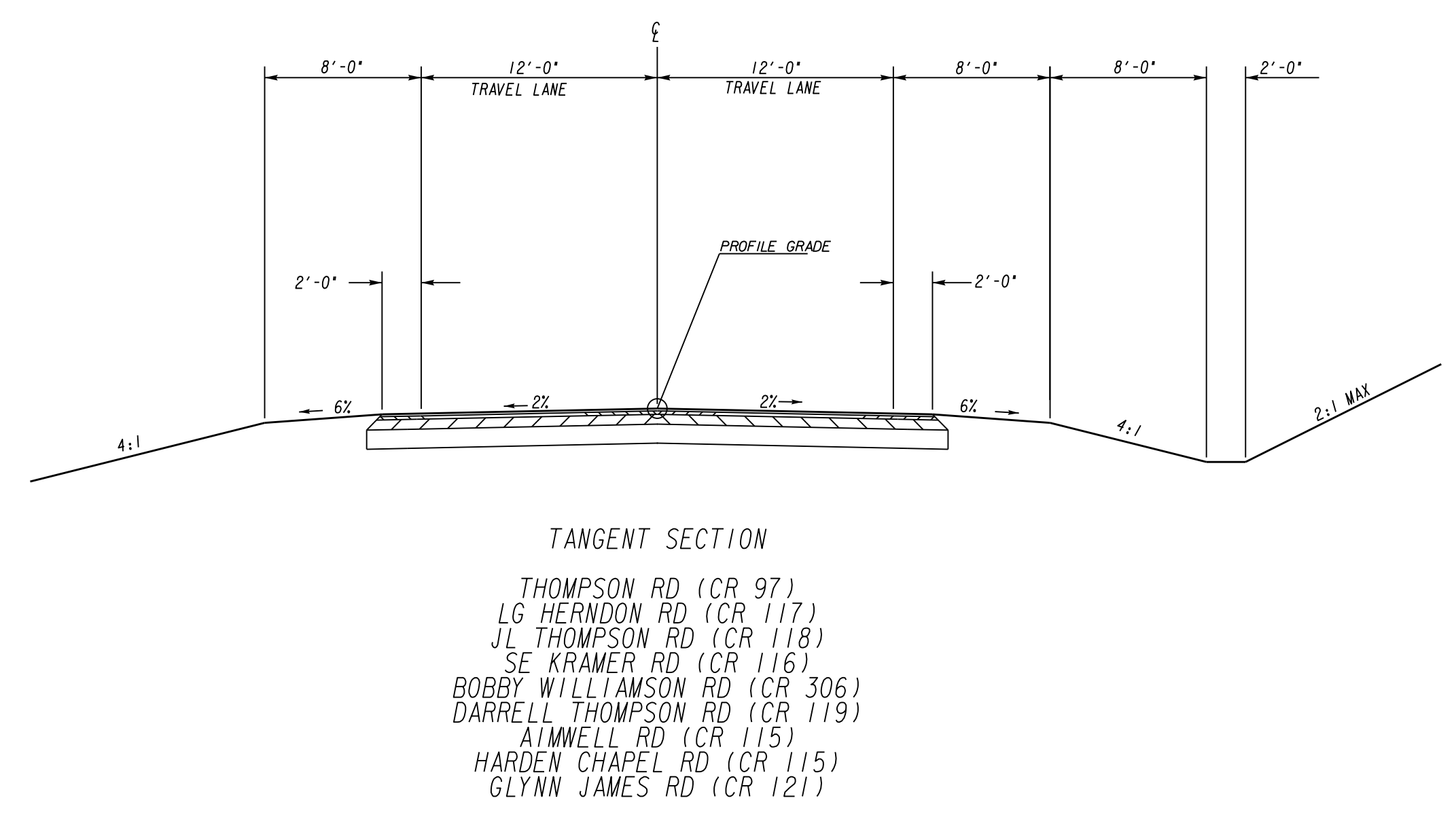


S. E. RATE	SHOULDER SLOPE
2.0% OR 3.0%	4.0%
4.0% OR 5.0%	2.0%
6.0% OR 7.0%	1.0%
8.0% +	0.0%



**GEORGIA**  
DEPARTMENT  
OF  
TRANSPORTATION

REVISION DATES


STATE OF GEORGIA  
DEPARTMENT OF TRANSPORTATION  
OFFICE: ROADWAY DESIGN

**TYPICAL SECTIONS**

EDS00-0545-00(025)  
TOOMBS COUNTY

DRAWING No.  
**05-002**