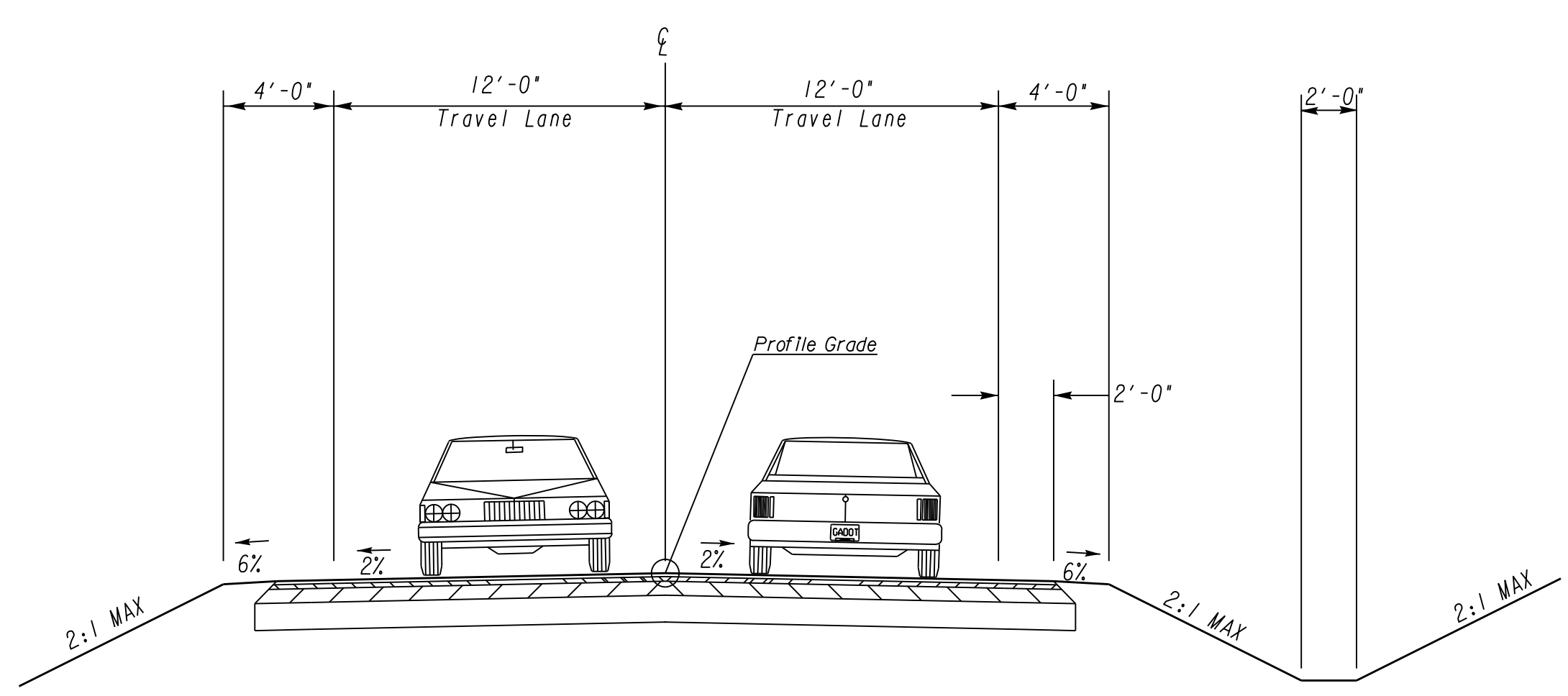


TANGENT SECTION
NORTH WATERWORKS ROAD STATION 100+50.00



TANGENT SECTION
NORTH WATERWORKS ROAD FROM STATION 101+00.00 - STATION 103+00.00

GEORGIA
DEPARTMENT
OF
TRANSPORTATION

NO SCALE

REVISION DATES		

STATE OF GEORGIA
DEPARTMENT OF TRANSPORTATION
OFFICE: ROADWAY DESIGN
**CONSTRUCTION STAGING
PLAN**
SR 347 FROM LAKE LANIER TO
MCEVER ROAD (STAGE 4)

DRAWING No.
19-300