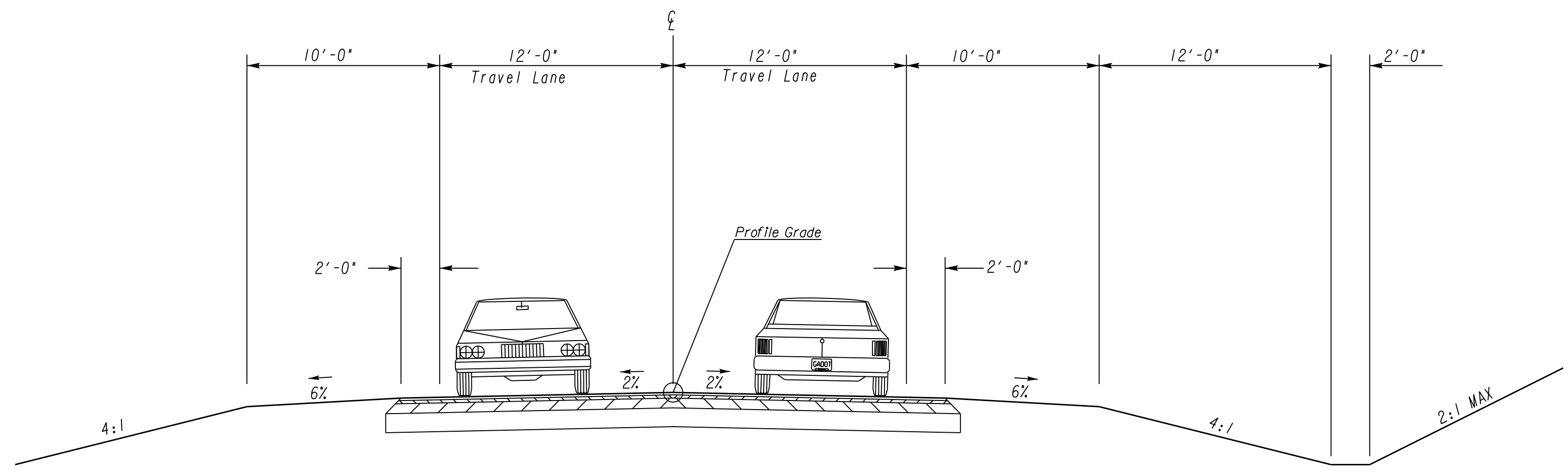


TANGENT SECTION  
BIG CREEK ROAD FROM STATION 81+00.00 - STATION 83+00.00



TANGENT SECTION  
BIG CREEK ROAD FROM STATION 83+50.00 - STATION 85+50.00

**GEORGIA**  
DEPARTMENT  
OF  
TRANSPORTATION

**NO SCALE**

REVISION DATES


STATE OF GEORGIA  
DEPARTMENT OF TRANSPORTATION  
OFFICE: ROADWAY DESIGN

**CONSTRUCTION STAGING  
PLAN**

SR 347 FROM LAKE LANIER TO  
MCEVER ROAD (STAGE 4)

DRAWING No.  
**19-299**