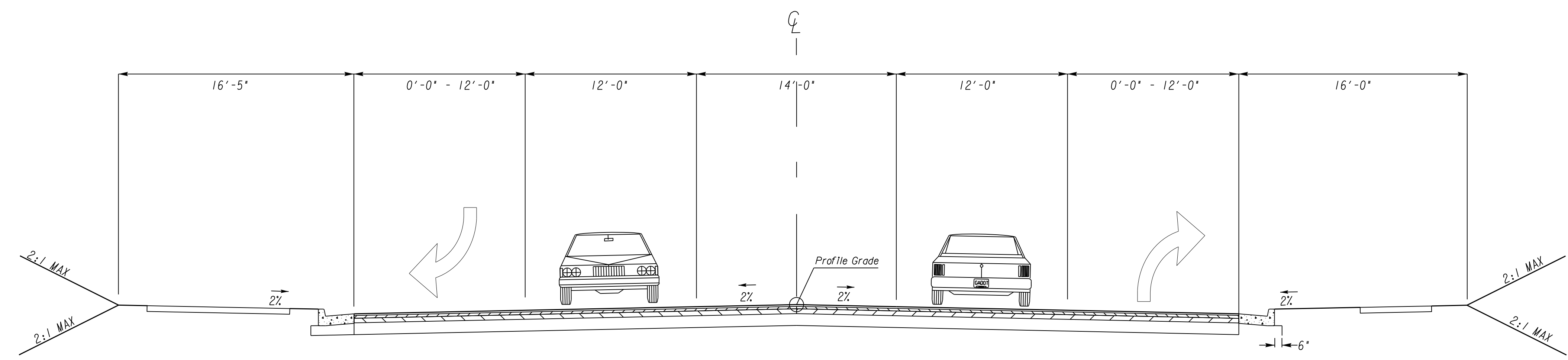


TANGENT SECTION
 SR 347 FROM STATION 10092+94.00 - STATION 10096+70.00
 SR 347 FROM STATION 10099+28.00 - STATION 10102+94.00
 SR 347 FROM STATION 10106+00.00 - STATION 10107+98.00



TANGENT SECTION
 SR 347 FROM STATION 10096+70.00 - STATION 10099+28.00
 SR 347 FROM STATION 10107+98.00 - STATION 10109+43.00

GEORGIA
 DEPARTMENT
 OF
 TRANSPORTATION

NO SCALE

REVISION DATES

STATE OF GEORGIA
 DEPARTMENT OF TRANSPORTATION
 OFFICE: ROADWAY DESIGN

**CONSTRUCTION STAGING
 PLAN**

SR 347 FROM LAKE LANIER TO
 MCEVER ROAD (STAGE 3)

DRAWING No.
19-203