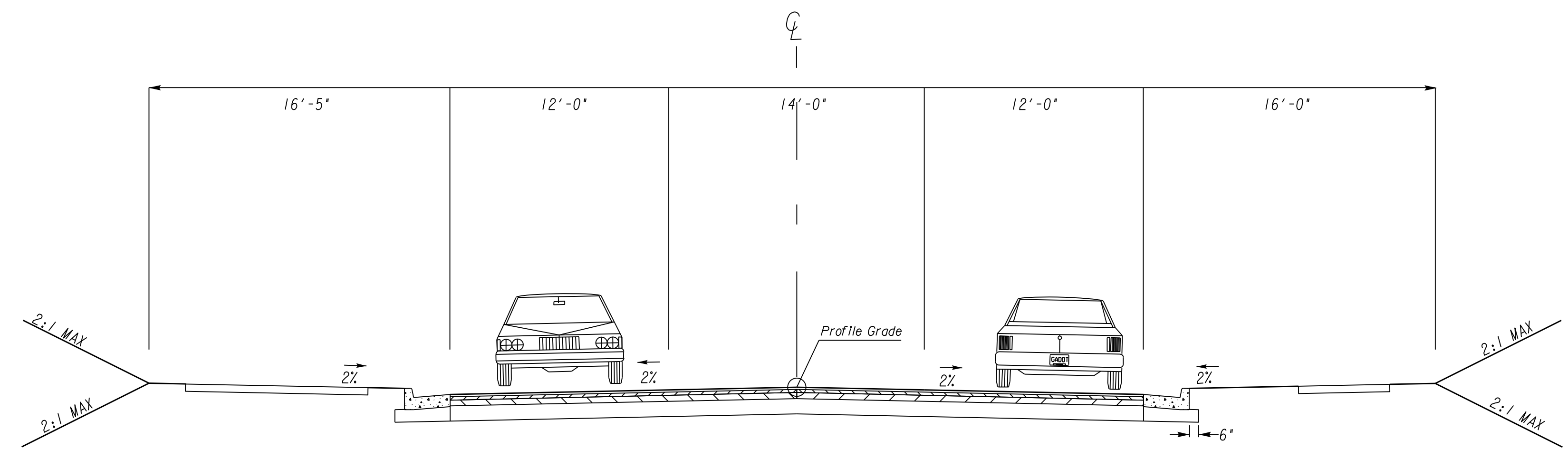


TANGENT SECTION
 SR 347 FROM STATION 10038+00.00 - STATION 10041+50.00
 SR 347 FROM STATION 10074+00.00 - STATION 10088+00.00



TANGENT SECTION
 SR 347 FROM STATION 10090+00.00 - STATION 10092+94.00

GEORGIA
 DEPARTMENT
 OF
 TRANSPORTATION

NO SCALE

REVISION DATES

STATE OF GEORGIA
 DEPARTMENT OF TRANSPORTATION
 OFFICE: ROADWAY DESIGN

**CONSTRUCTION STAGING
 PLAN**

SR 347 FROM LAKE LANIER TO
 MCEVER ROAD (STAGE 3)

DRAWING No.
19-202