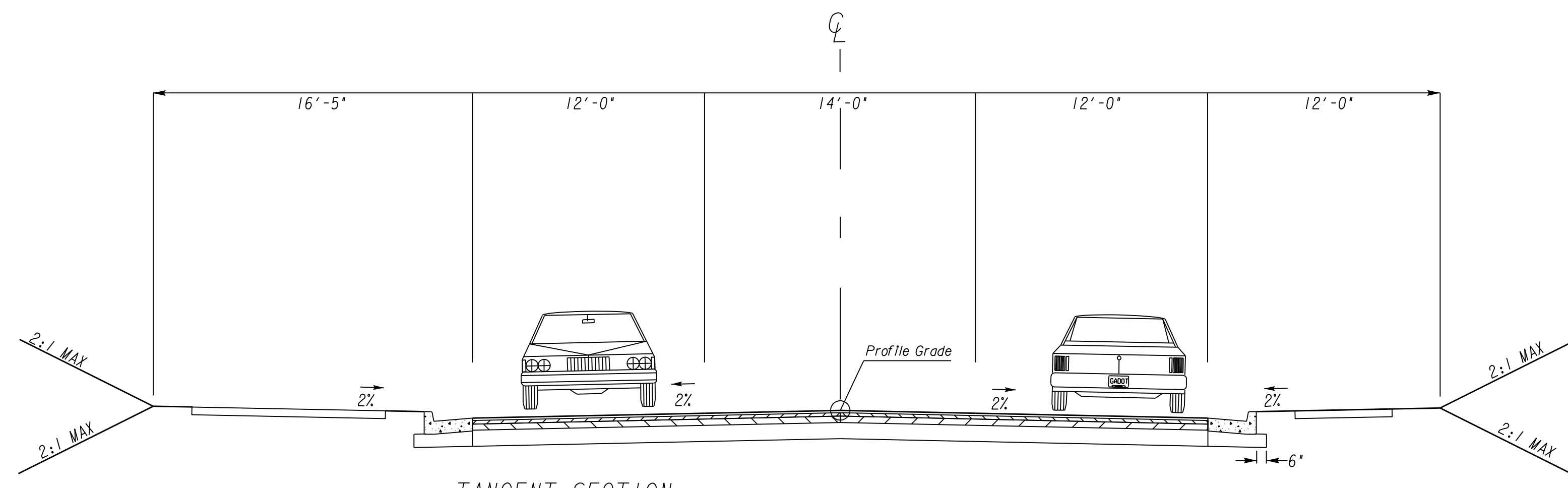


TANGENT SECTION
SR 347 FROM STATION 10004+00.00 - STATION 10011+79.00



TANGENT SECTION
SR 347 FROM STATION 10011+79.00 - STATION 10038+00.00
SR 347 FROM STATION 10041+50.00 - STATION 10074+00.00
SR 347 FROM STATION 10088+00.00 - STATION 10090+00.00

GEORGIA
DEPARTMENT
OF
TRANSPORTATION

NO SCALE

REVISION DATES

STATE OF GEORGIA
DEPARTMENT OF TRANSPORTATION
OFFICE: ROADWAY DESIGN

**CONSTRUCTION STAGING
PLAN**

SR 347 FROM LAKE LANIER TO
MCEVER ROAD (STAGE 3)

DRAWING No.
19-201