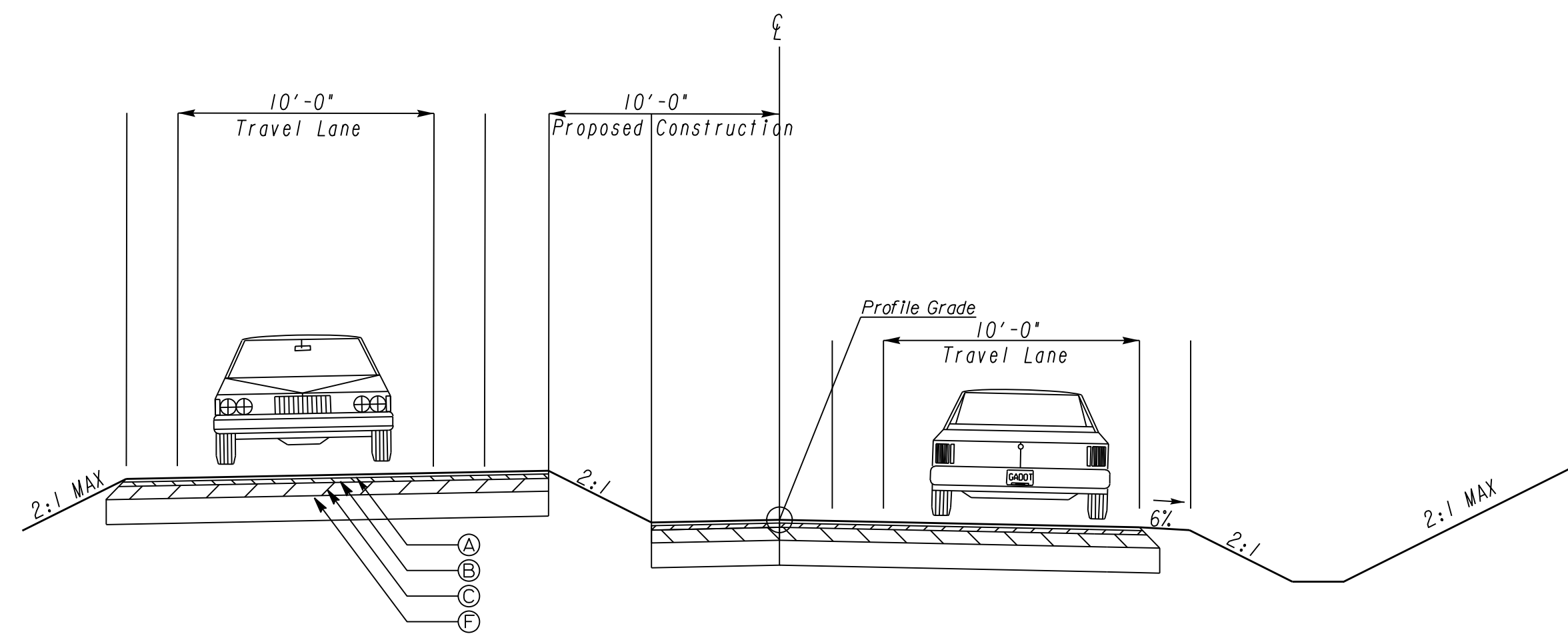


TANGENT SECTION  
NORTH WATERWORKS ROAD FROM STATION 101+00.00 - STATION 103+00.00



TANGENT SECTION  
PASS DRIVE FROM STATION 32+50.00 - STATION 34+00.00

**GEORGIA**  
DEPARTMENT  
OF  
TRANSPORTATION

**NO SCALE**

REVISION DATES		

STATE OF GEORGIA  
DEPARTMENT OF TRANSPORTATION  
OFFICE: ROADWAY DESIGN

**CONSTRUCTION STAGING  
PLAN**

SR 347 FROM LAKE LANIER TO  
MCEVER ROAD (STAGE 2)

DRAWING No.  
**19-111**