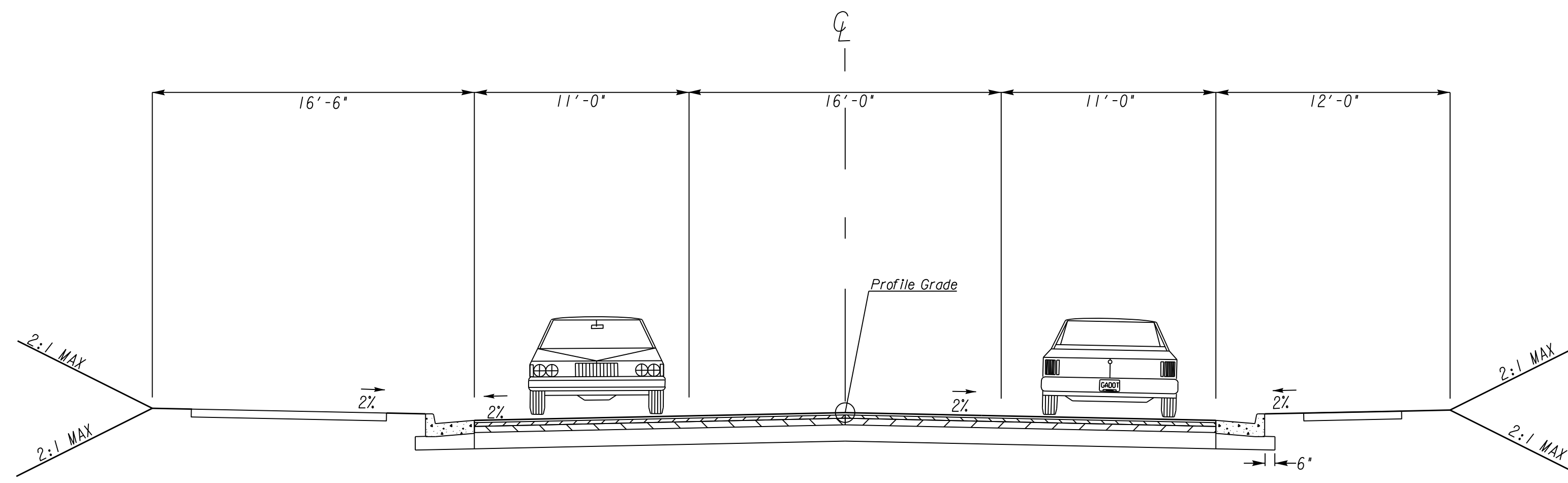


TANGENT SECTION  
SR 347 FROM STATION 10039+00.00 - STATION 10039+50.00



TANGENT SECTION  
SR 347 FROM STATION 10039+50.00 - STATION 10071+84.00

**GEORGIA**  
DEPARTMENT  
OF  
TRANSPORTATION

**NO SCALE**

REVISION DATES		

STATE OF GEORGIA  
DEPARTMENT OF TRANSPORTATION  
OFFICE: ROADWAY DESIGN

**CONSTRUCTION STAGING  
PLAN**

SR 347 FROM LAKE LANIER TO  
MCEVER ROAD (STAGE 2)

DRAWING No.  
**19-105**