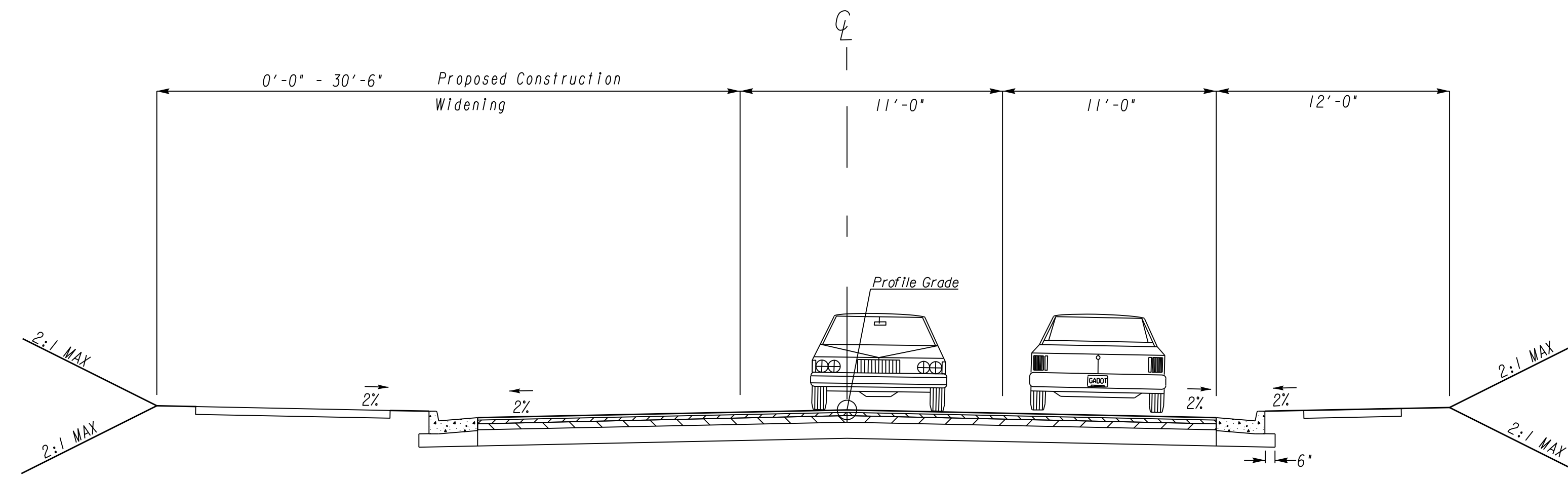


TANGENT SECTION
SR 347 FROM STATION 10015+50.00 - STATION 10020+44.00



TANGENT SECTION
SR 347 FROM STATION 10020+44.00 - STATION 10022+17.00

GEORGIA
DEPARTMENT
OF
TRANSPORTATION

NO SCALE

REVISION DATES		

STATE OF GEORGIA
DEPARTMENT OF TRANSPORTATION
OFFICE: ROADWAY DESIGN

**CONSTRUCTION STAGING
PLAN**

SR 347 FROM LAKE LANIER TO
MCEVER ROAD (STAGE 2)

DRAWING No.
19-103