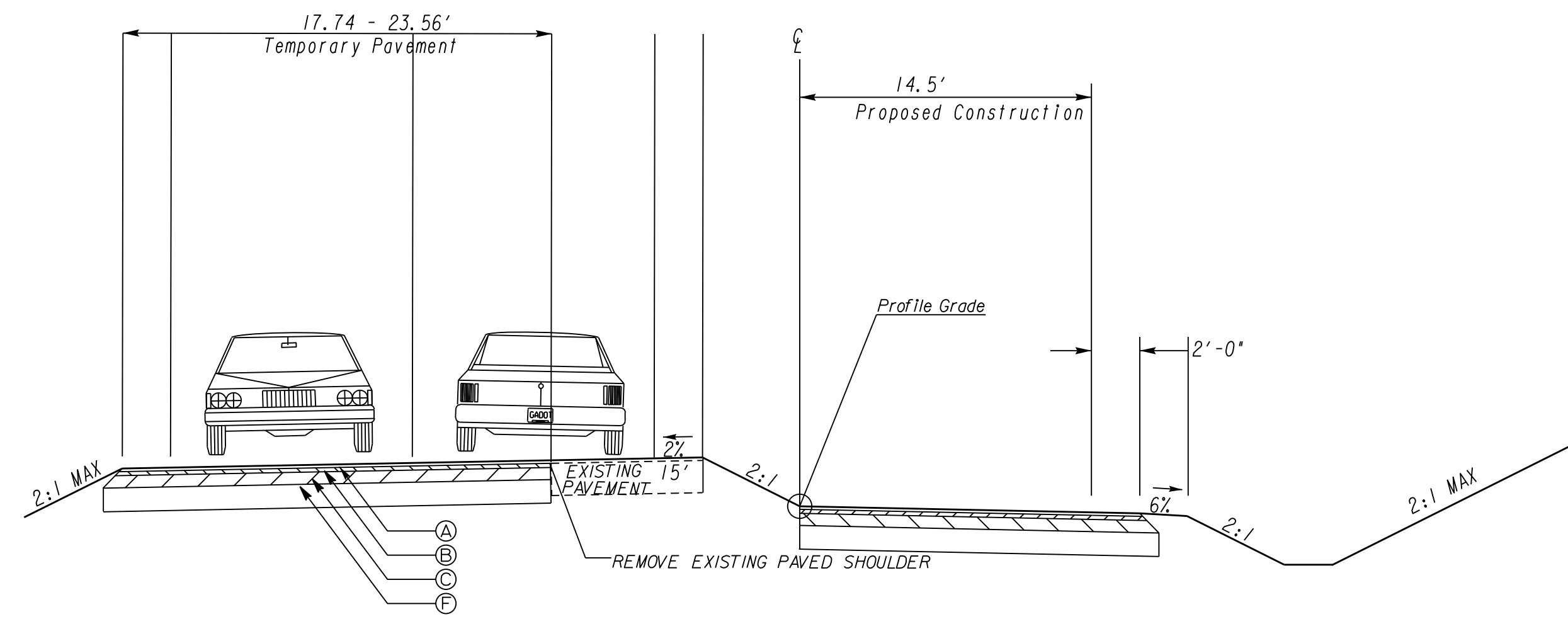


TANGENT SECTION
NORTH WATERWORKS ROAD FROM STATION 101+00.00 - STATION 103+00.00

A RECYCLED ASPH CONC 12.5 MM SUPERPAVE, GP 2 ONLY, INCL BITUM MATL & H LIME, 165 LB/YD
 B RECYCLED ASPH CONC 19 MM SUPERPAVE, GP 1 OR 2, INCL BITUM MATL & H LIME, 220 LB/YD
 C RECYCLED AP SH CONC 25 MM SUPERPAVE, GP 1 OR 2, INCL BITUM MATL & H LIME, 330 LB/YD
 F GR AGGR BASE CRS, 6 INCH, INCL MATL
 P TEMPORARY CONCRETE BARRIER



TANGENT SECTION
PASS DRIVE FROM STATION 32+50.00 - STATION 34+00.00

GEORGIA
DEPARTMENT
OF
TRANSPORTATION

NO SCALE

REVISION DATES		

STATE OF GEORGIA
DEPARTMENT OF TRANSPORTATION
OFFICE: ROADWAY DESIGN
CONSTRUCTION STAGING PLAN
SR 347 FROM LAKE LANIER TO MCEVER ROAD (STAGE 1)

DRAWING No.
19-012