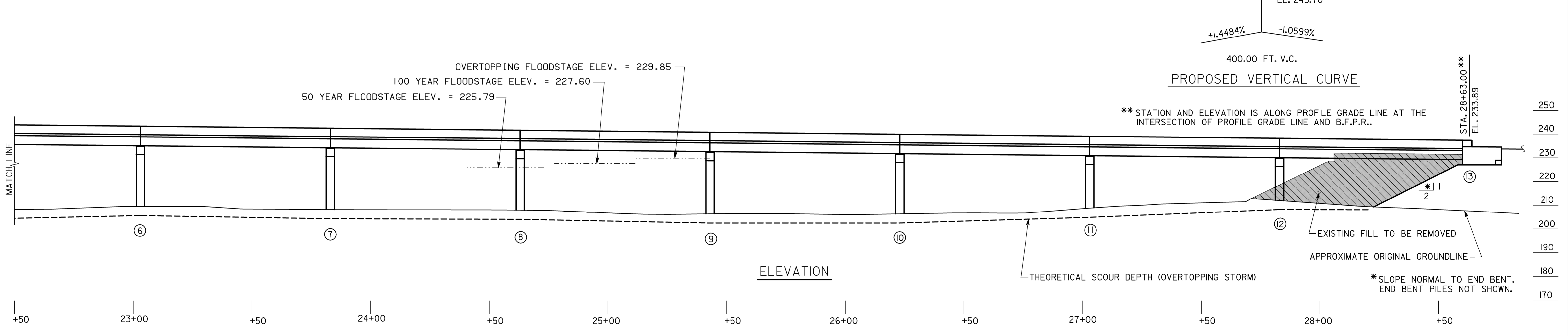
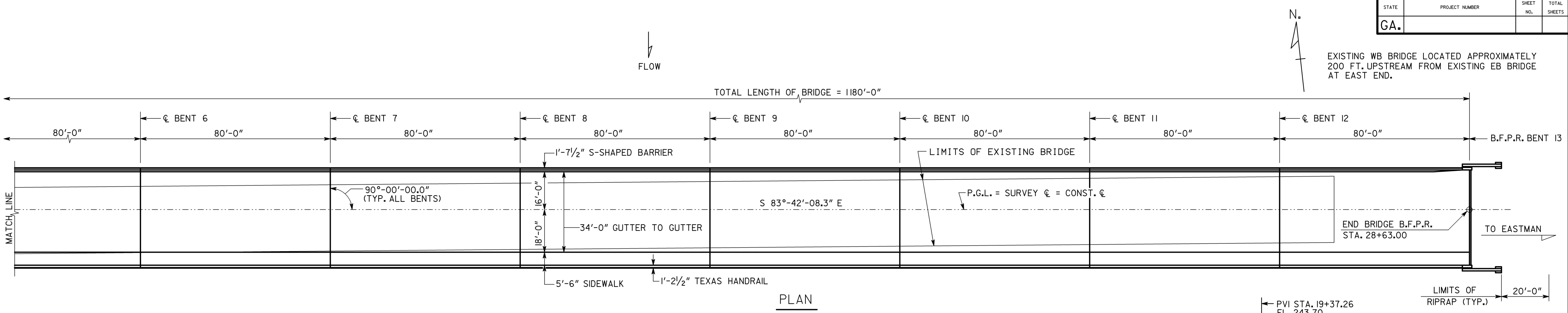


EXISTING WB BRIDGE LOCATED APPROXIMATELY 200 FT. UPSTREAM FROM EXISTING EB BRIDGE AT EAST END.



BENT LOCATION	100 YEAR STORM			500 YEAR STORM		
	GENERAL	LOCAL	TOTAL	GENERAL	LOCAL	TOTAL
BENTS 2-4	4.8	9.2	14.0	5.2	9.5	14.7
BENT 5	0.0	4.3	4.3	0.0	4.5	4.5
BENTS 6-12	0.0	3.6	3.6	0.0	3.8	3.8

THE OVERTOPPING SCOUR IN THE CREEK IS 5.2 FT

DRAINAGE DATA

DRAINAGE AREA ----- 3,800 SQ MILES

FLOOD FREQUENCY	TOTAL DISCHARGE	MEAN VELOCITY	AREA OF OPENING UNDER FLOODSTAGE	BACKWATER
50 YEAR	77100 CFS	3.10 FPS	24,843 SQ FT	0.03 FT
100 YEAR	86700 CFS	3.23 FPS	26,831 SQ FT	0.03 FT
OVERTOPPING STORM	100000 CFS	3.42 FPS	29,267 SQ FT	0.11 FT

TRAFFIC DATA

TRAFFIC ----- ADT = 12,150(2016)
 ----- ADT = 18,000(2036)

DESIGN SPEED ----- 45 MPH

TRUCKS ----- 11 %

24 HR TRUCKS ----- 15.5 %

DIRECTIONAL ----- 60 %

EXISTING UTILITIES

USGS GAGE UPSTREAM SIDE OF EXISTING BRIDGE

LIGHT STANDARDS ATTACHED TO UPSTREAM AND DOWNSTREAM SIDES OF EXISTING BRIDGE

PROPOSED UTILITIES

12 INCH DIAMETER WATER MAIN UPSTREAM SIDE OF BRIDGE

BRIDGE SERIAL NO. --- 235-0008-0

BRIDGE ID NO. --- 235-00026D-008.86E

P.I. NO. 0007050

BRIDGE NO. 1

DATE		REVISIONS		BY	
GEORGIA DEPARTMENT OF TRANSPORTATION ENGINEERING DIVISION-OFFICE OF BRIDGES AND STRUCTURES					
PRELIMINARY LAYOUT S.R. 26 EASTBOUND (BROAD ST.) OVER OCMULGEE RIVER PULASKI COUNTY CSBRG-0007-00(050)					
SCALE: 1" = 20'-0" (UNLESS NOTED)				MAY 2013	
DESIGNED STB	CHECKED CRP	REVIEWED DLC/WMD			
DRAWN WMC	DESIGN GROUP STB	APPROVED BFR			

DRAWING NO. 35-002
BRIDGE SHEET 2 OF 2

1/4" = 1" WHEN PRINTED FULL SIZE

FILENAME: P0007050BL.DGN

c:\Mark_Coleman\Layouts for Hydraulics Group\p0007050bl.dgn

8:24:07 AM

6/3/2013