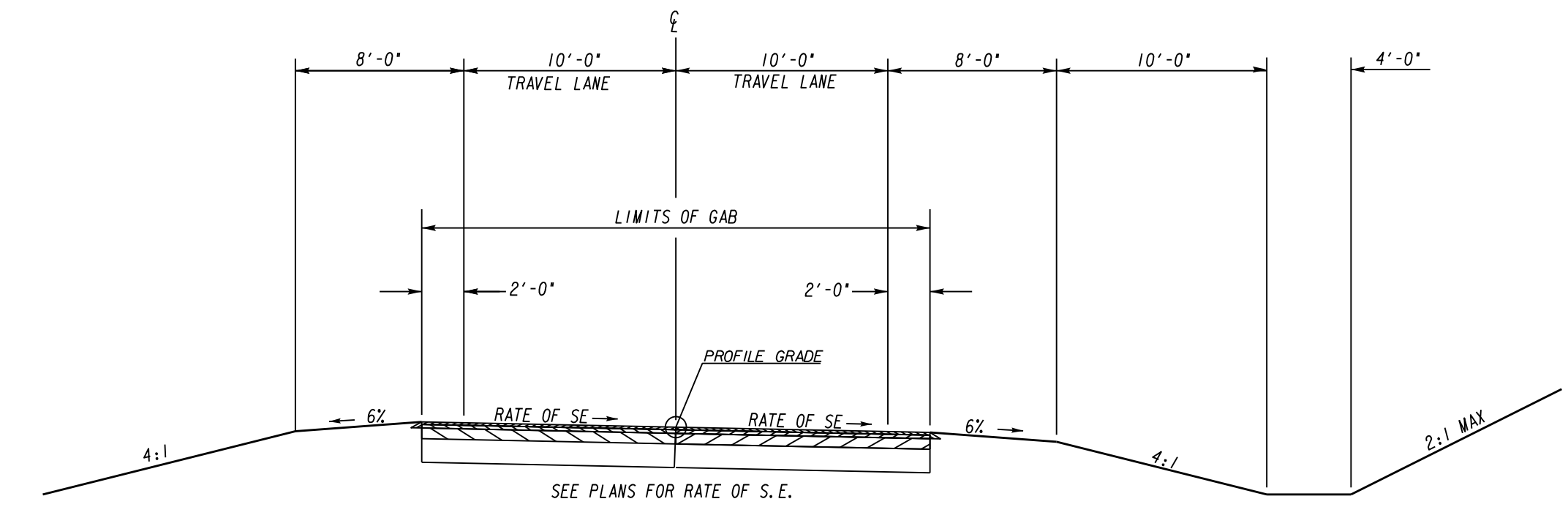


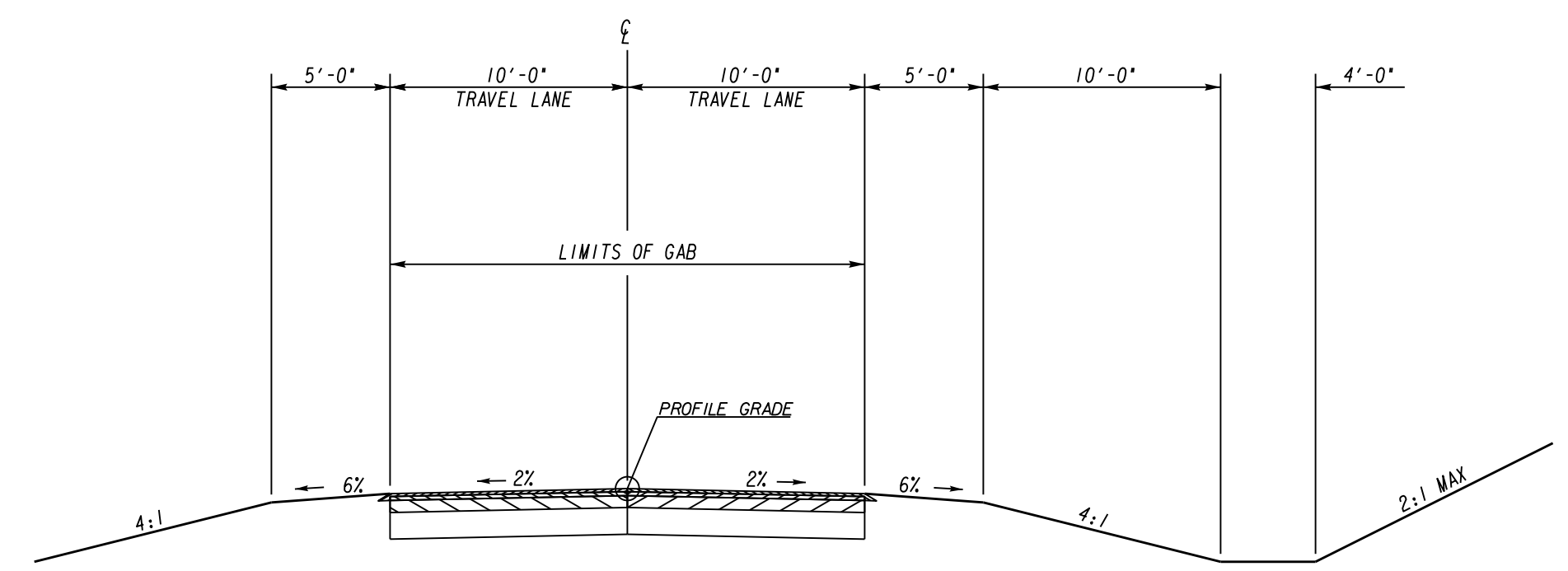
TS-13

TANGENT SECTION
APPLIES TO
CR 224 / OLD NORMANTOWN ROAD
STA. 15+00.00 TO STA. 23+00.00



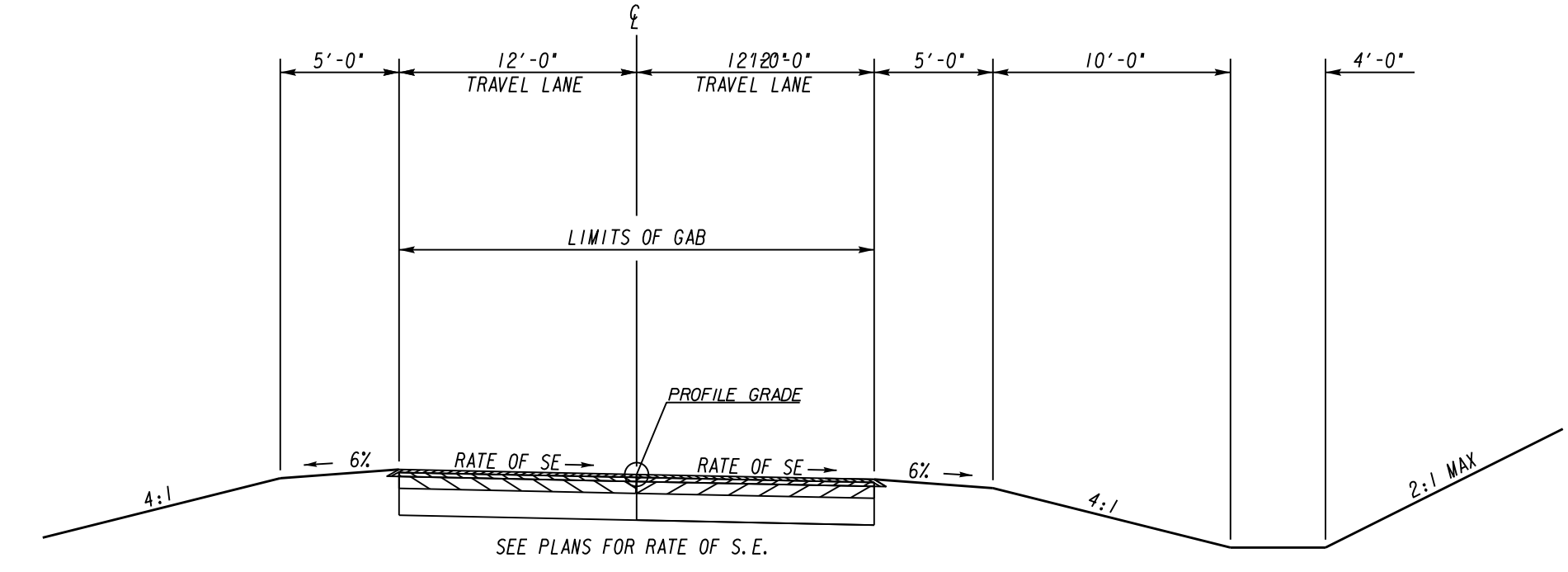
TS-14

SUPERELEVATED
WHERE APPLIES



TS-II

TANGENT SECTION
APPLIES TO
CR 370 / McDILDA ROAD
STA. 13+00.00 TO STA. 26+00.00



TS-12

SUPERELEVATED
WHERE APPLIES

GEORGIA
DEPARTMENT
OF
TRANSPORTATION

REVISION DATES

STATE OF GEORGIA
DEPARTMENT OF TRANSPORTATION
OFFICE: ROADWAY DESIGN
TYPICAL SECTIONS

DRAWING No.
05-004