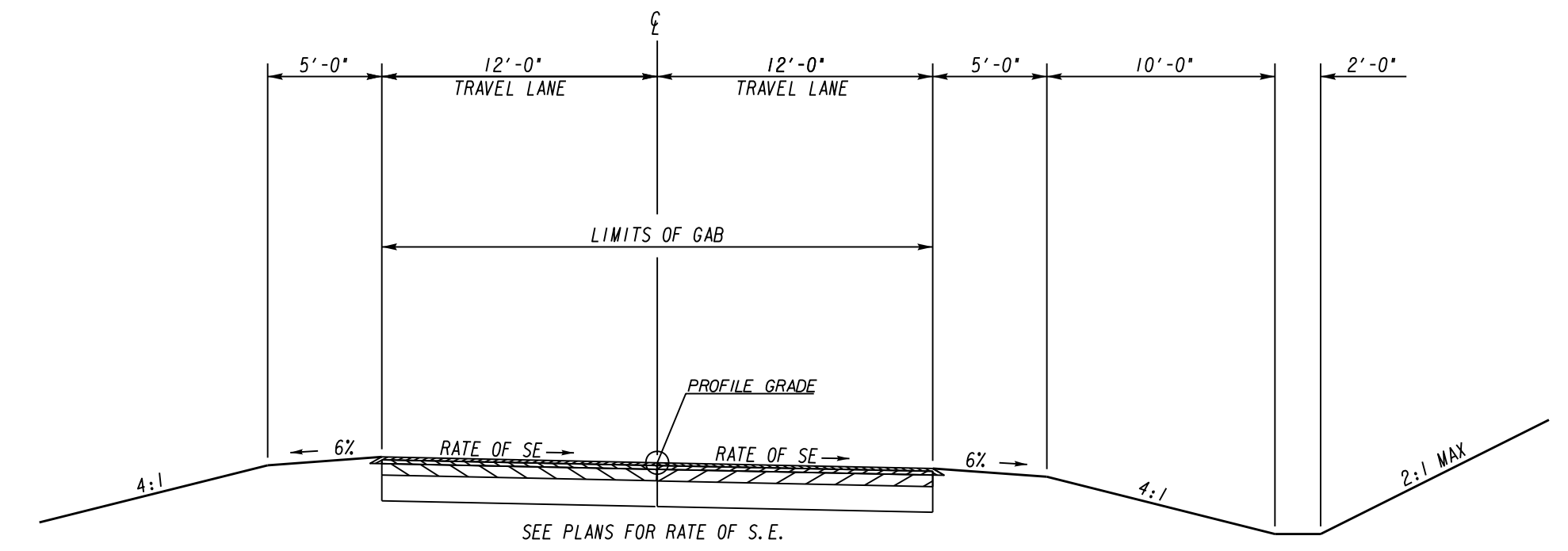
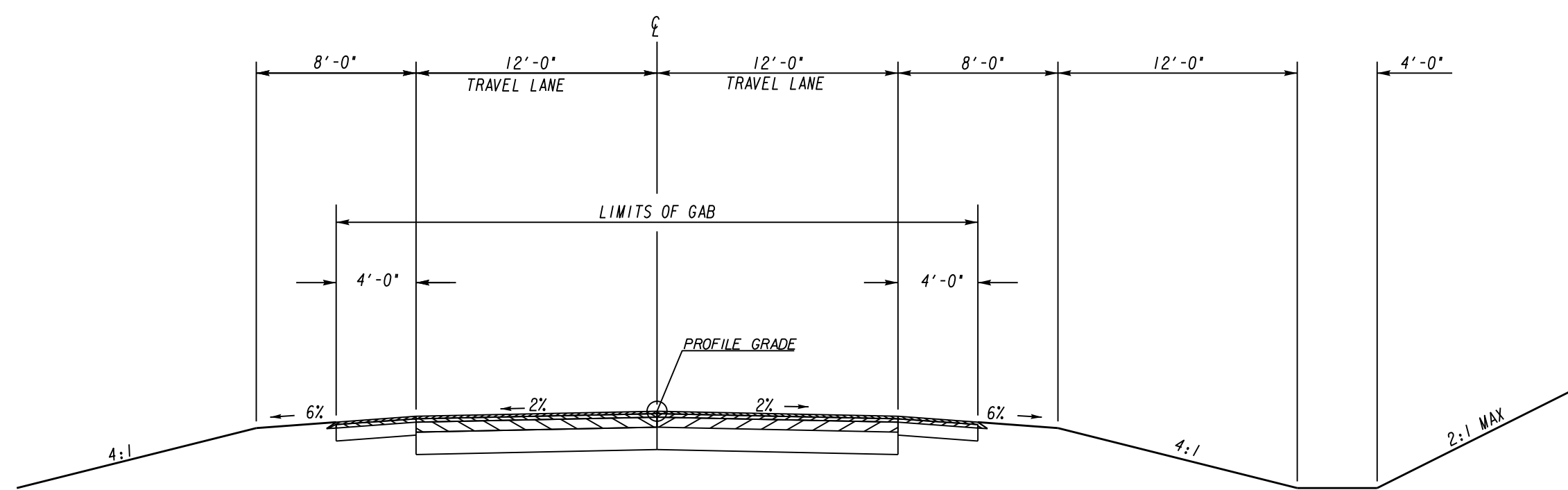


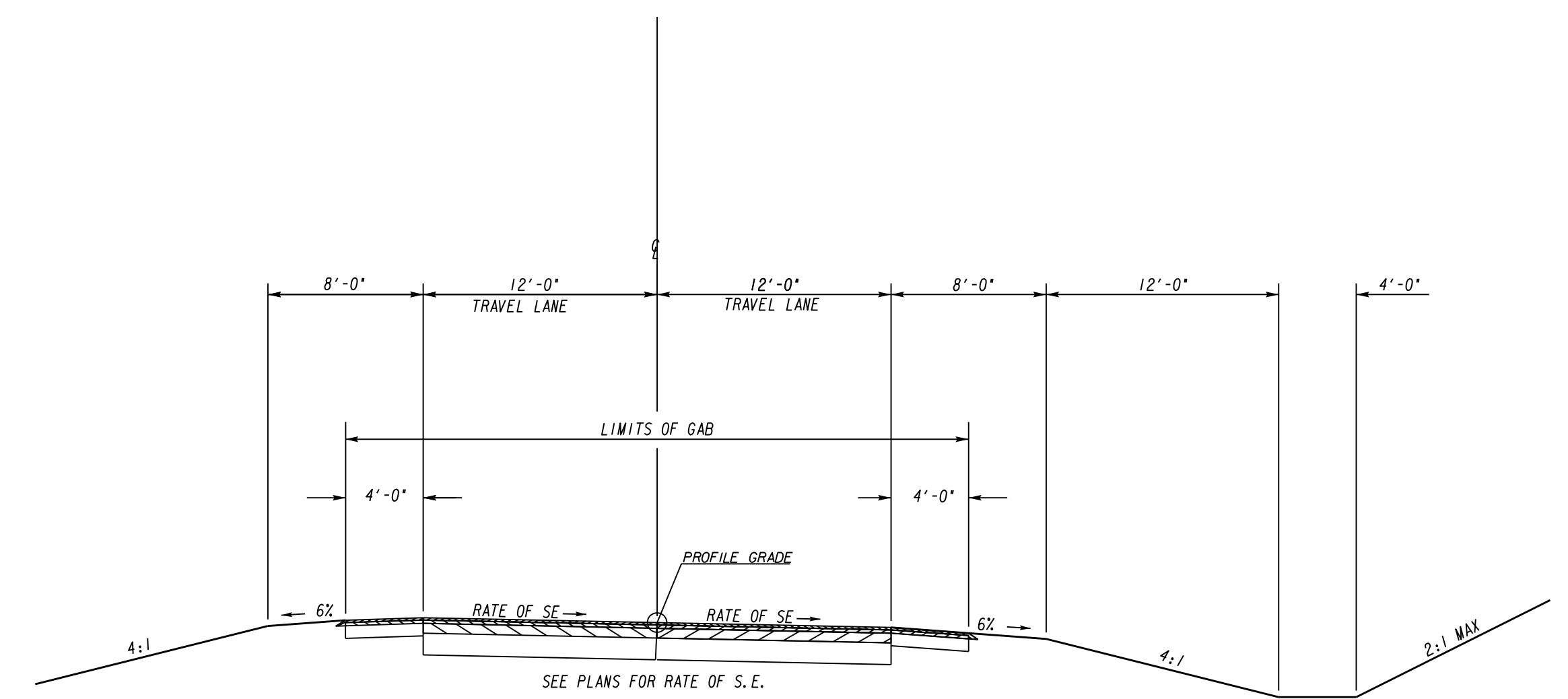
TS-05
TANGENT SECTION
APPLIES TO
GREEN OAK ROAD
STA. 10+52.00 TO STA. 16+00.00



TS-06
SUPERELEVATED
WHERE APPLIES



TS-03
TANGENT SECTION
APPLIES TO
US 1 \ SR 4 CONN SOUTH
STA. 10+52.00 TO STA. 14+55.00
UNKNOWN ROAD
STA. 20+52.00 TO STA. 41+69.00
US 1 \ SR 4 CONN NORTH
STA. 10+52.00 TO STA. 26+14.00
SEMCO DRIVE
STA. 10+12.00 TO STA. 22+36.00



TS-04
SUPERELEVATED
WHERE APPLIES

GEORGIA
DEPARTMENT
OF
TRANSPORTATION

REVISION DATES

STATE OF GEORGIA
DEPARTMENT OF TRANSPORTATION
OFFICE: ROADWAY DESIGN
TYPICAL SECTIONS

DRAWING No.
05-002